

3.6 Maschinenaufstellungspläne

Anlage

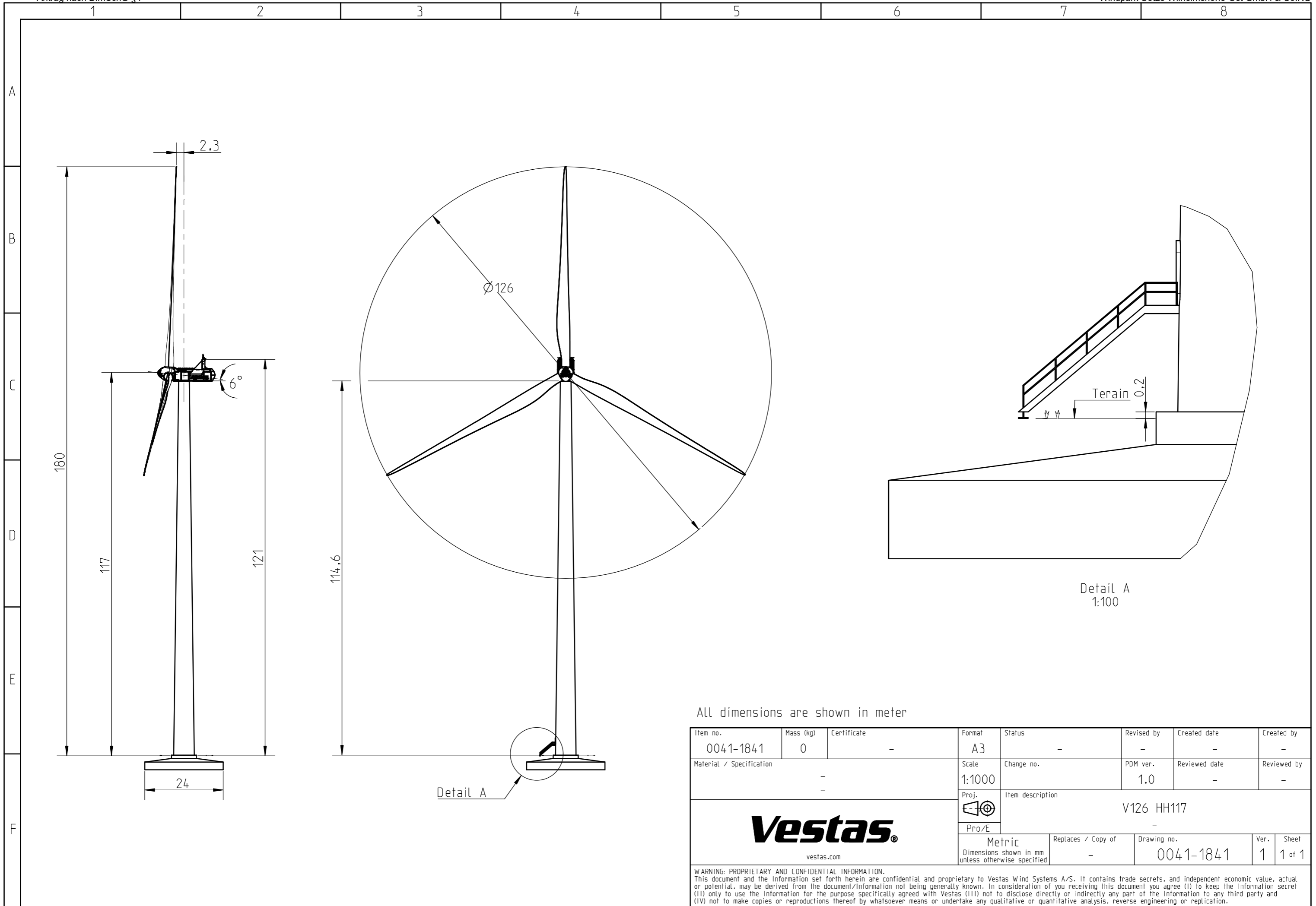
WEA Typ:	V126 3.45MW NH117
Nenn-Nabenhöhe:	117 m (ohne Fundamenthöhenanpassung)
Plan-Nabenhöhe:	118,50 m (mit Fundamenthöhenanpassung 1,50 m)
Plan-Gesamthöhe:	181,50 m
Rotordurchmesser:	126,00 m
Stahlrohr-Turm:	114,60 m (gem. Vorgabe / Typenprüfungsdocument)

Objektansicht und Aufsicht



*siehe Kapitel 2.4 (Plananlage)
Detailpläne mit Maßangaben*

Aufstellpläne

*Lagepläne, Angaben zur Kranstellfläche, der örtlichen Zuwegung und der
Fundamenthöhenanpassung
siehe Kapitel 2.3/2.5/2.6 (Plananlage) und 12 (Bauvorlagen)*



All dimensions are shown in meter

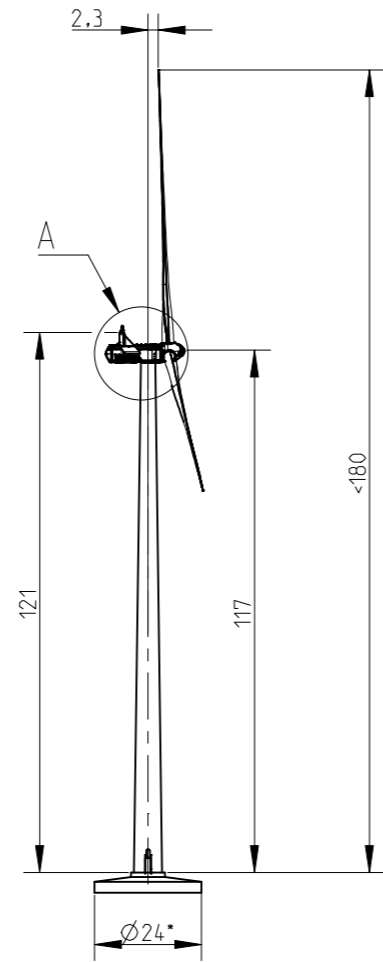
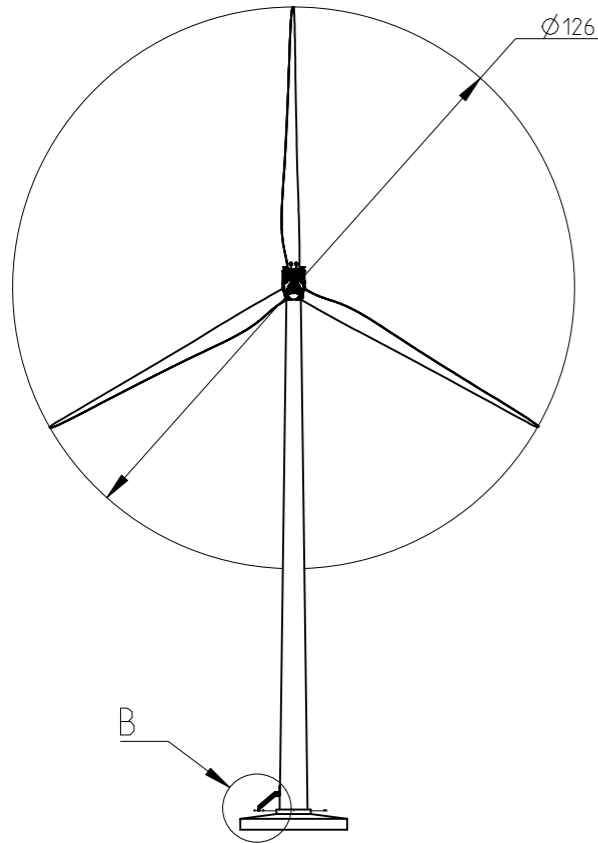
Item no. 0041-1841	Mass (kg) 0	Certificate -	Format A3	Status -	Revised by -	Created date -	Created by -
Material / Specification -			Scale 1:1000	Change no.	PDM ver. 1.0	Reviewed date -	Reviewed by -
 vestas.com			Proj. 	Item description V126 HH117			
			Pro/E	Replaces / Copy of -	Drawing no. 0041-1841	Ver. 1	Sheet 1 of 1
Metric Dimensions shown in mm unless otherwise specified							

WARNING: PROPRIETARY AND CONFIDENTIAL INFORMATION.
 This document and the Information set forth herein are confidential and proprietary to Vestas Wind Systems A/S. It contains trade secrets, and independent economic value, actual or potential, may be derived from the document/Information not being generally known. In consideration of you receiving this document you agree (I) to keep the Information secret (II) only to use the Information for the purpose specifically agreed with Vestas (III) not to disclose directly or indirectly any part of the Information to any third party and (IV) not to make copies or reproductions thereof by whatsoever means or undertake any qualitative or quantitative analysis, reverse engineering or replication.

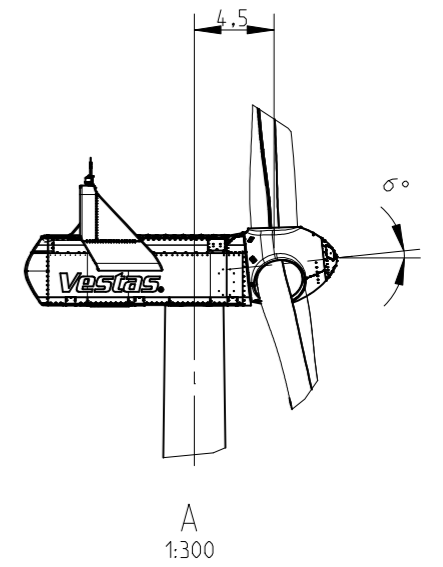
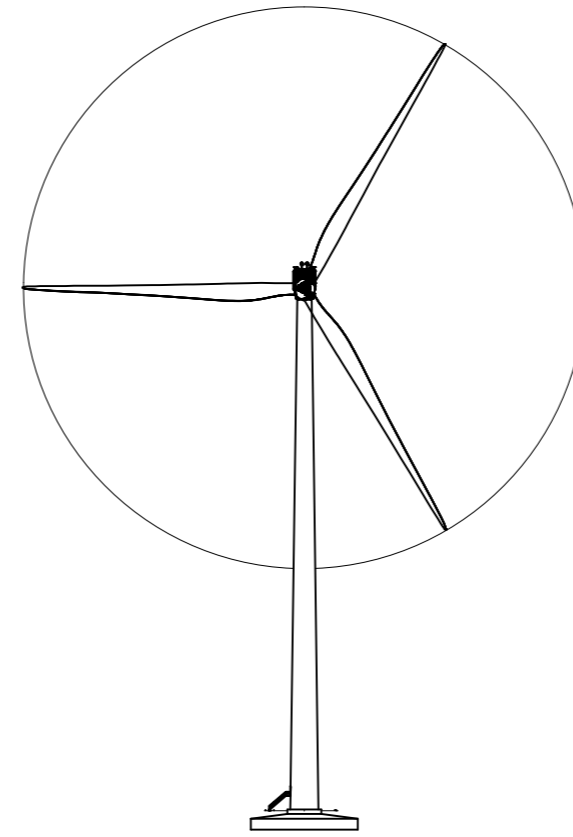
1 2 3 4 5 6 7 8

A
B
C
D
E
F
G
H

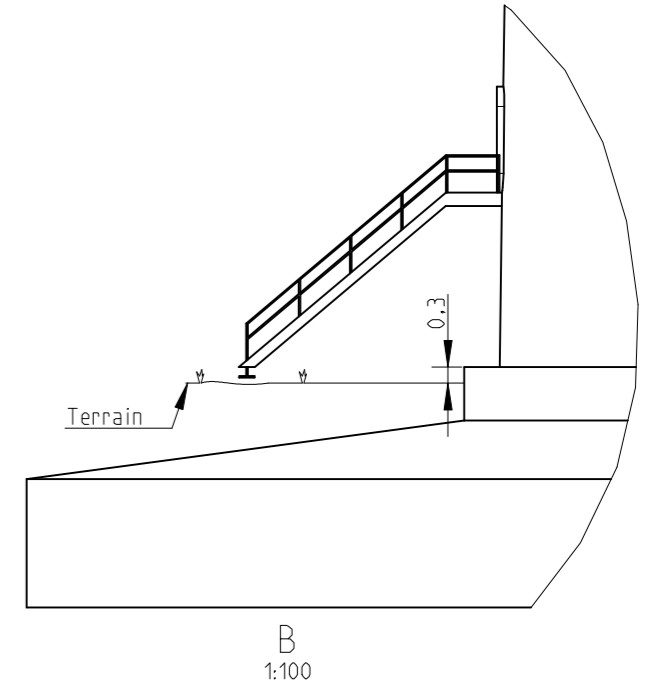
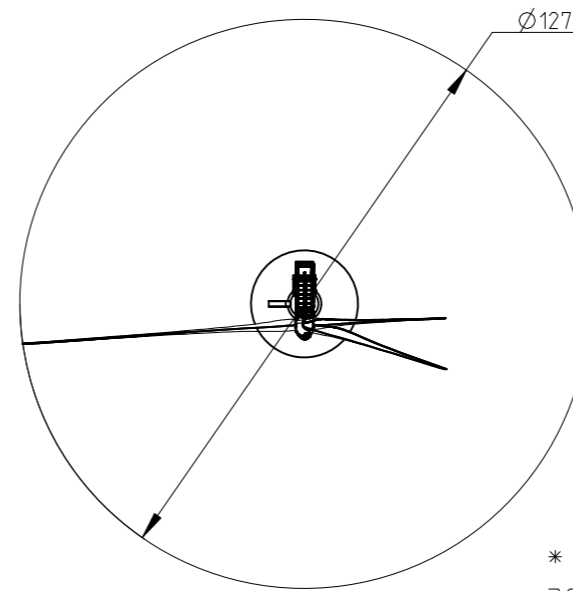
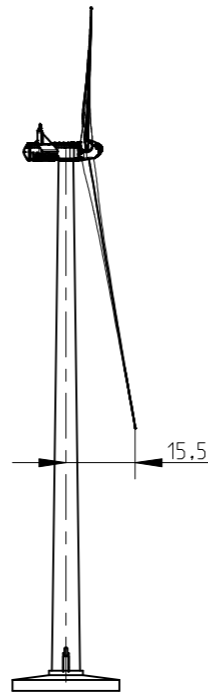
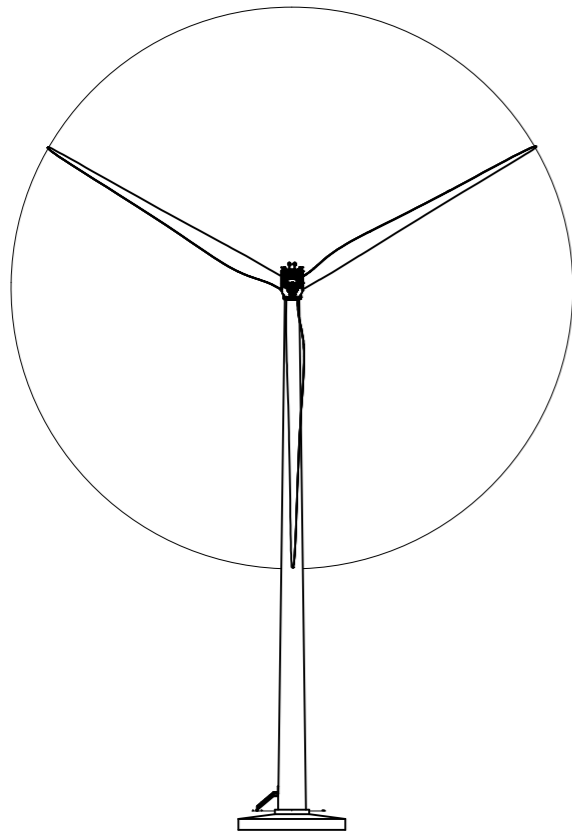
Blade in Inverted-Y Position



Blade in Horizontal Position



Blade in Y Position



* Foundation diameter is indicative and depends on actual site condition

All dimensions are shown in meters

Item no.	Mass (kg)	Certificate	Format	Status	Revised by	Created date	Created by
0061-7154	-	-	A2	Preliminary Copy	-	-	-
Material / Specification	-		Scale	Change no.	PDM ver.	Reviewed date	Reviewed by
-			1:1200	-	0.1	-	-
-			Proj.	Item description			
-			Pro/E	V126 HH117			
-			Metric	Replaces / Copy of	Drawing no.		Ver. / Sheet
-			Dimensions shown in mm unless otherwise specified	-	0061-7154		0 / 1 of 1

WARNING: PROPRIETARY AND CONFIDENTIAL INFORMATION.
This document and the information set forth herein are confidential and proprietary to Vestas Wind Systems A/S. It contains trade secrets, and independent economic value, actual or potential, may be derived from the document/information not being generally known. In consideration of your receiving this document you agree (i) to keep the information secret (ii) only to use the information for the purpose specifically agreed with Vestas (iii) not to disclose directly or indirectly any part of the information to any third party and (iv) not to make copies or reproductions thereof by whatsoever means or undertake any qualitative or quantitative analysis, reverse engineering or replication.