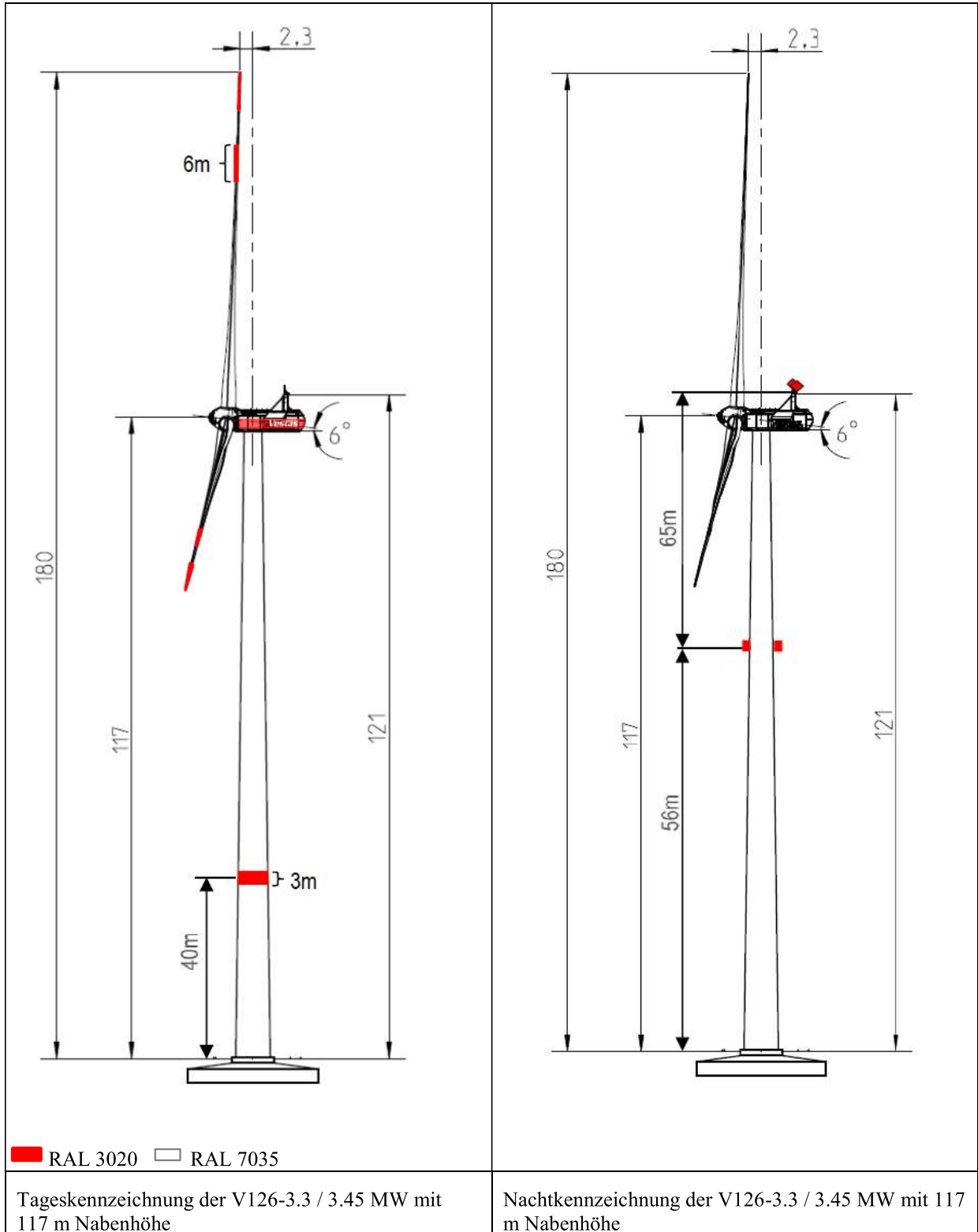


2.3. V126-3.3MW und 3.45MW

2.3.1. 117m Nabenhöhe (180m Spitzenhöhe)



6 Appendix A – German Requirements

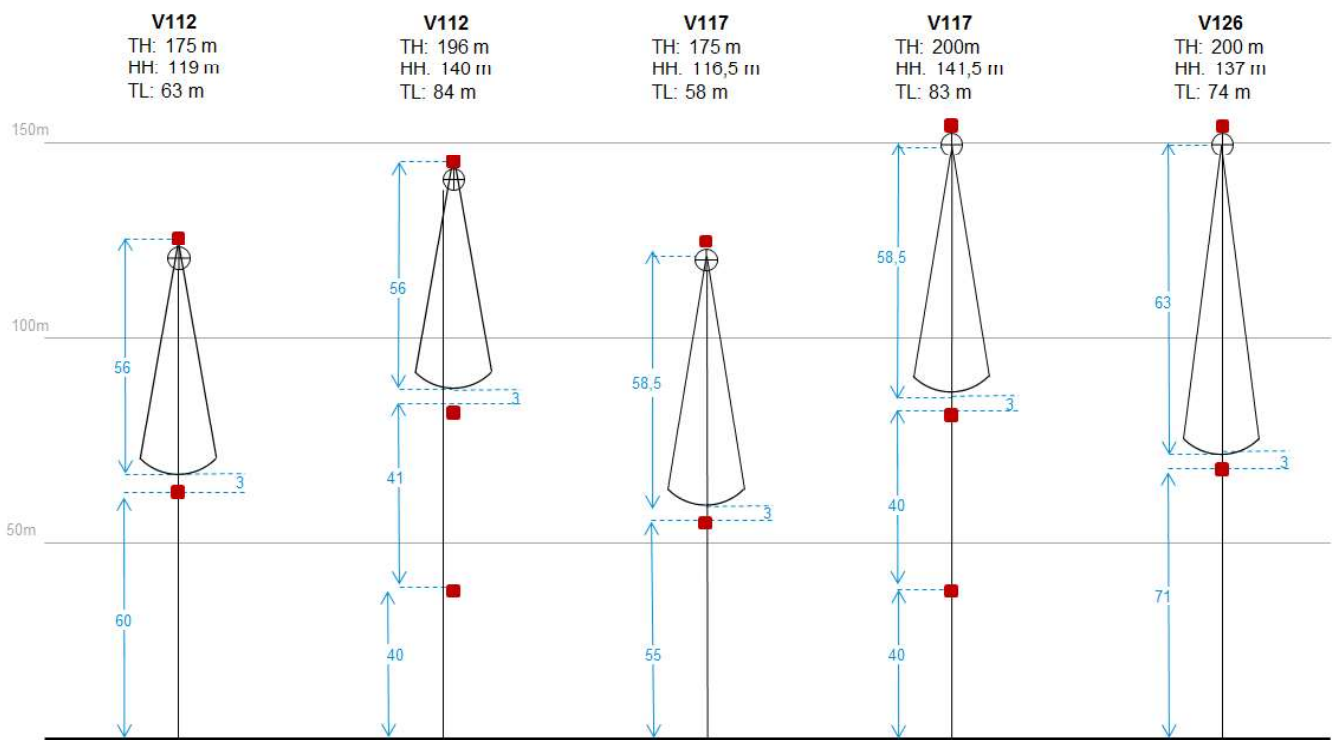


Figure 6-1: Vestas suggestion for general approval – for illustration purpose only

- TH** Tip Height
- HH** Hub Height
- TL** Lowest point of the blade tip