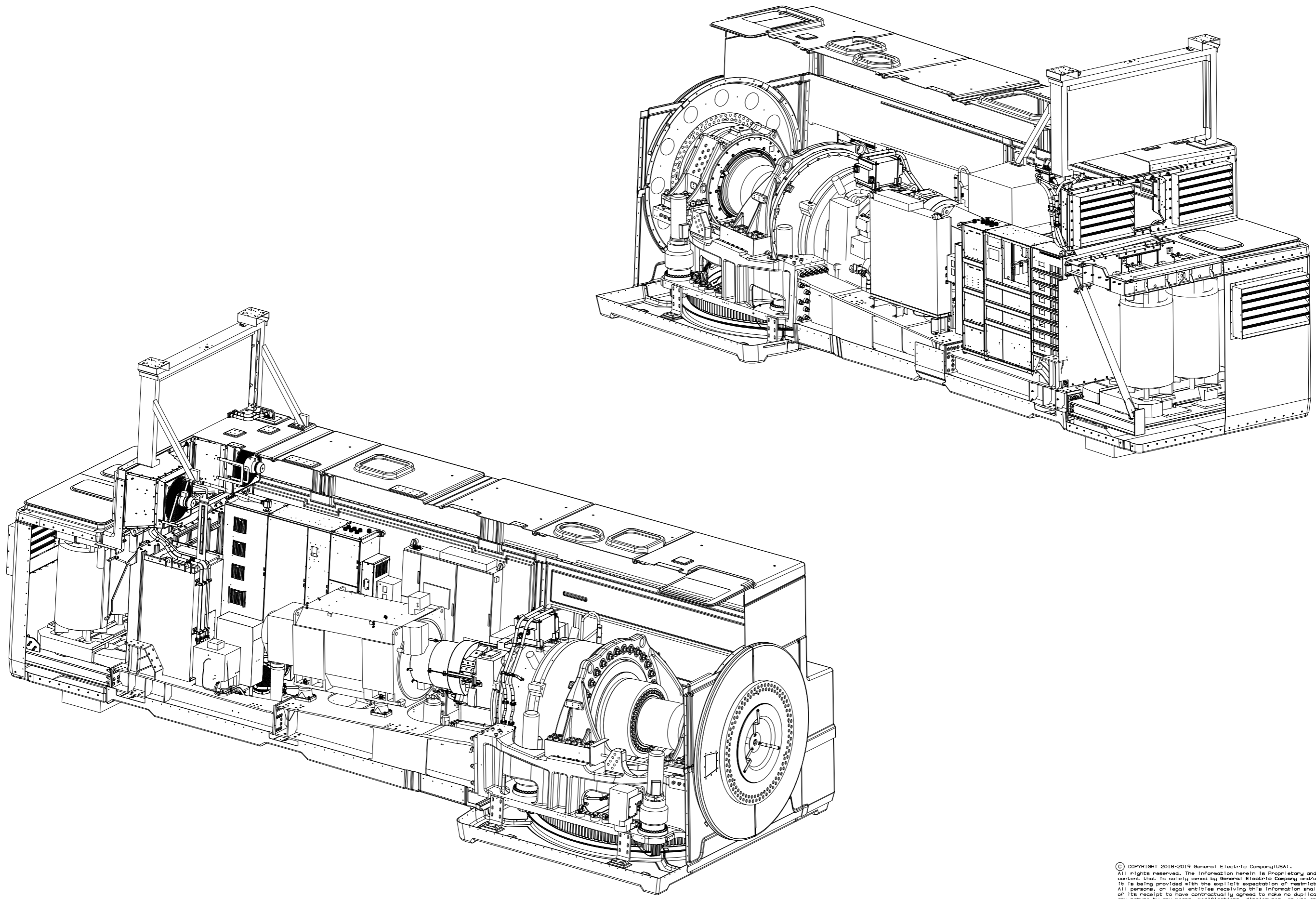


REVISION HISTORY			
REVZONE	DESCRIPTION	DATE (YYYY-MM-DD)	APPROVED
A	(1) ADDED SHEET 2. PER ECR3044173	2019-03-11	DRAWN 212740111 ENGINEER SEE PLM

REVISE ON CAD ONLY
NX PART: 448W5186



© COPYRIGHT 2018-2019 General Electric Company (USA).
All rights reserved. The information herein is Proprietary and Technically Exclusive content that is solely owned by General Electric Company and/or its affiliates. Thus, it is being provided with the explicit expectation of restricted and privileged use. All persons, or legal entities receiving this information shall be deemed by the act of its receipt to have contractually agreed to make no duplications, reproductions of any nature by any means, modifications, disclosures, or use any portion of this material, except as is expressly authorized in writing by General Electric Company and/or its legitimate affiliates.

GE RENEWABLE ENERGY DRAWN 212740111 ENGR SEE PLM	GE CLASS 11 (INTERNAL NON-CRITICAL) SIZE CAGE CODE A0 NONE	DWG NO 448W5186
	DRAWN BY DATE (YYYY-MM-DD) 2019-03-11	SCALE NONE

UNIVERSAL ACQUISITION (02/20/11)

SIZE: A0
DWG NO: 448W5186