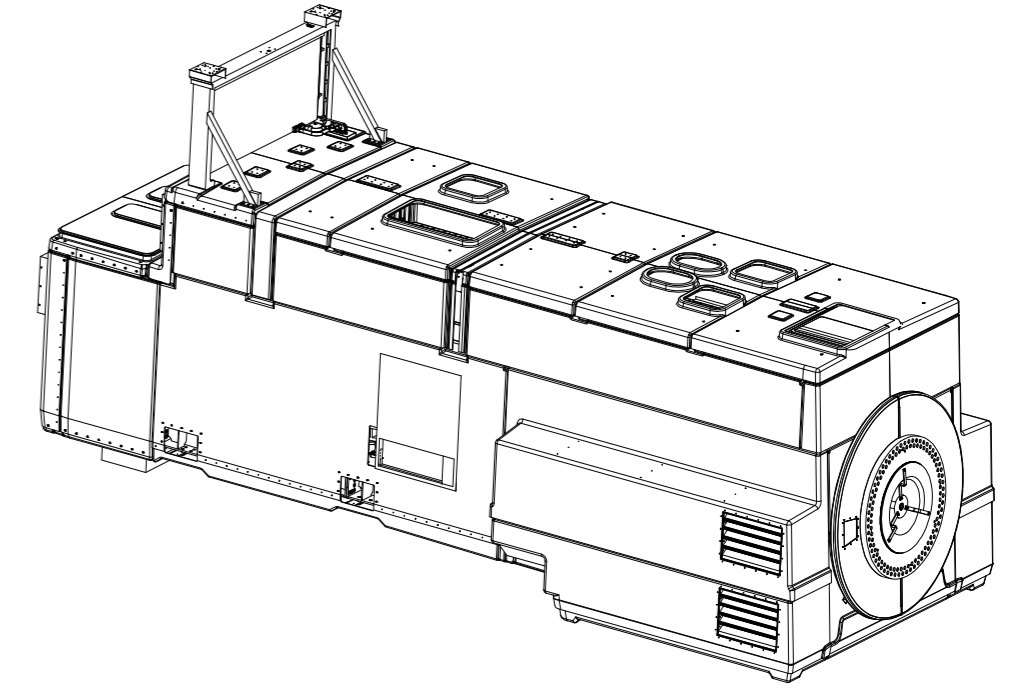
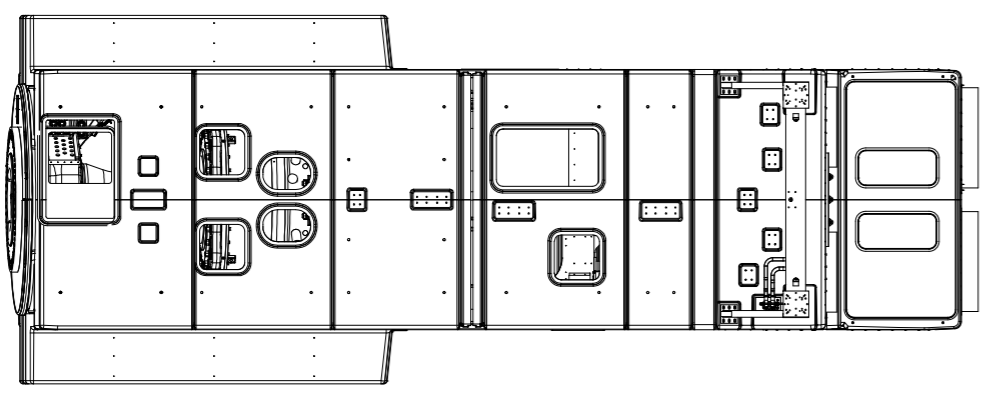
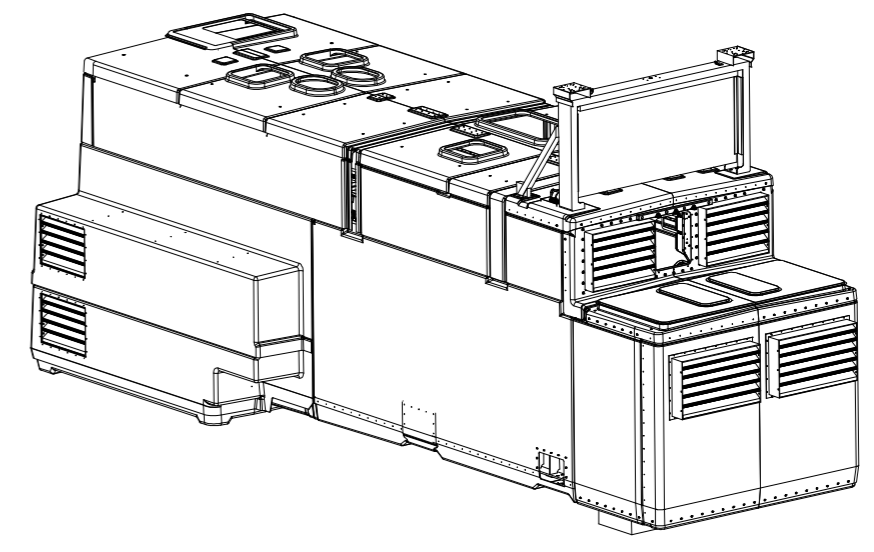
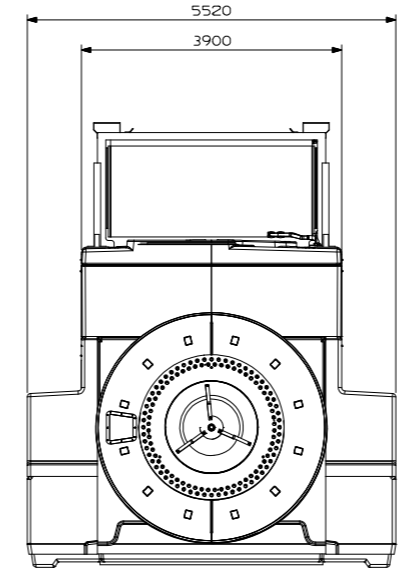
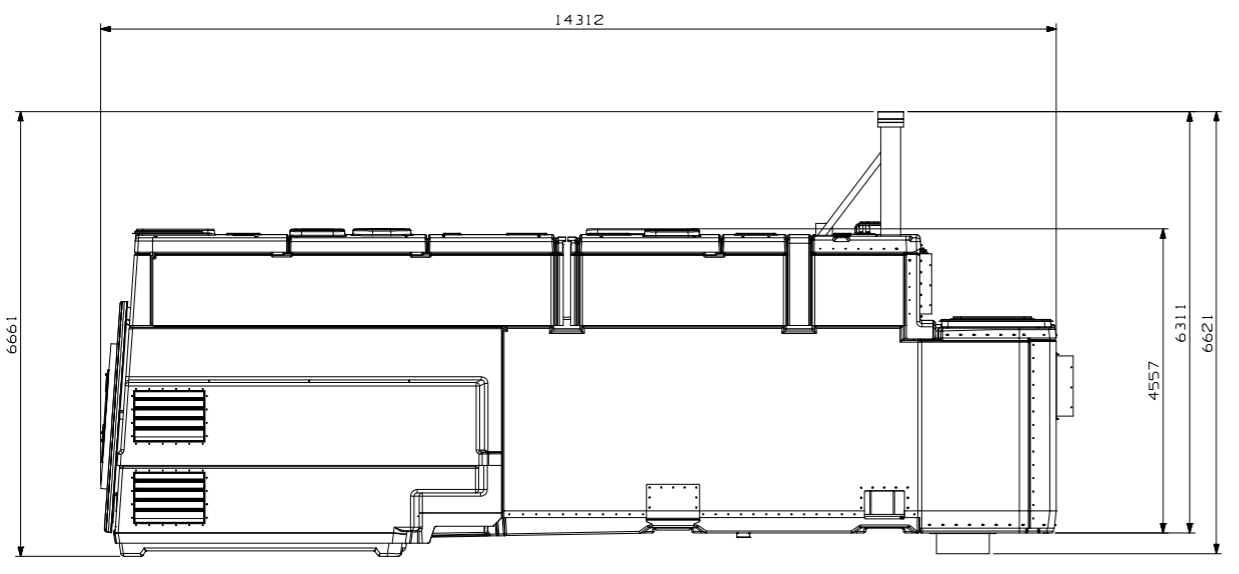


THIS DOCUMENT SHALL BE REVISED IN ITS ENTIRETY. ALL SHEETS OF THIS DOCUMENT ARE THE SAME REVISION LEVEL AS INDICATED.

REVISION HISTORY			
REVZONE	DESCRIPTION	DATE (YYYY-MM-DD)	APPROVED
A	(1) UPDATED FORMAT. (2) UPDATED MODEL, VIEWS AND DIMENSIONS. (3) ADDED SHEET 2. PER ECR3044173	2019-03-11	DRAWN 212740111 ENGINEER SEE PLM

REVISE ON CAD ONLY
NX PART: 44W5186



© COPYRIGHT 2018-2019 General Electric Company(USA).
All rights reserved. The information herein is Proprietary and Technically Exclusive content that is solely owned by General Electric Company and/or its affiliates. Thus, it is being provided with the explicit expectation of restricted and privileged use. All persons, or legal entities receiving this information shall be deemed by the act of its receipt to have contractually agreed to make no duplications, reproductions of any nature by any means, modifications, disclosures, or use any portion of this material except as is expressly authorized in writing by General Electric Company and/or its legitimate affiliates.

UNLESS OTHERWISE SPECIFIED DIMENSIONS ARE IN MILLIMETERS TOLERANCE CLASS: NA		DWG TYPE ASSEMBLY DRAWN 105015580 DRAWN DATE (YYYY-MM-DD) 2018-12-21 CHECK SEE PLM CHECK DATE (YYYY-MM-DD) ENGRD SEE PLM ENGRD DATE (YYYY-MM-DD)		GE CLASS II (INTERNAL NON-CRITICAL)	
FIRST ANGLE PROJECTION		ADDITIONAL APPROVALS SEE PLM FOR APPROVAL INFORMATION		GE RENEWABLE ENERGY	
MATERIAL: NA		M.L./P.M. CODE/PART TYPE: M8R0 DWG SOURCE: NX12 SIMILAR TO: NONE DOL. CODE: US-SC, GREENVILLE		SIZE: AO	CAGE CODE: NONE
				DWG NO: 448W5186	SHEET 1 OF 2

THIS DRAWING IS PREPARED IN ACCORDANCE WITH ISO 1101-2004

UNIFORM: 02/2011

448W5186